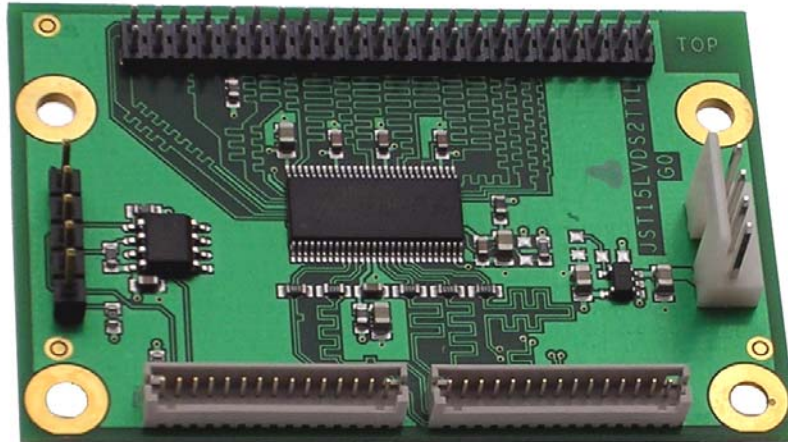




ADLLVDSTTL - LVDS to TTL Flat Panel Interface Adapter



Features

- 4Ch, LVDS conversion to 18/24-Bit TTL
- Compatible with most 18/24 Bit Flat panels
- I2C for storing panel information
- Power connection with +5VDC and +12VDC
- PC/104 Stack mountable with mounting plate
- Compatible only with ADL Embedded Solutions SBC's

Description

The ADLLVDSTTL converts 4-channel LVDS into 18/24 – bit TTL for use with TTL compatible flat panel displays. Its compact size will allow it to be mounted in almost any location with an enclosure. The mounting holes match the same mounting as the ADL-CFII-xx series so it may also be PC/104 stack mounted when used with the ADL Embedded Solutions multi-function mounting adapter. The ADLLVDSTTL also provides input for +12V and +5V for various flat panel configurations. When used with an ADL Embedded Solutions PC/104 series board, connection of the ADLLVDSTTL is as easy as plugging in the pin-for-pin interface cable.

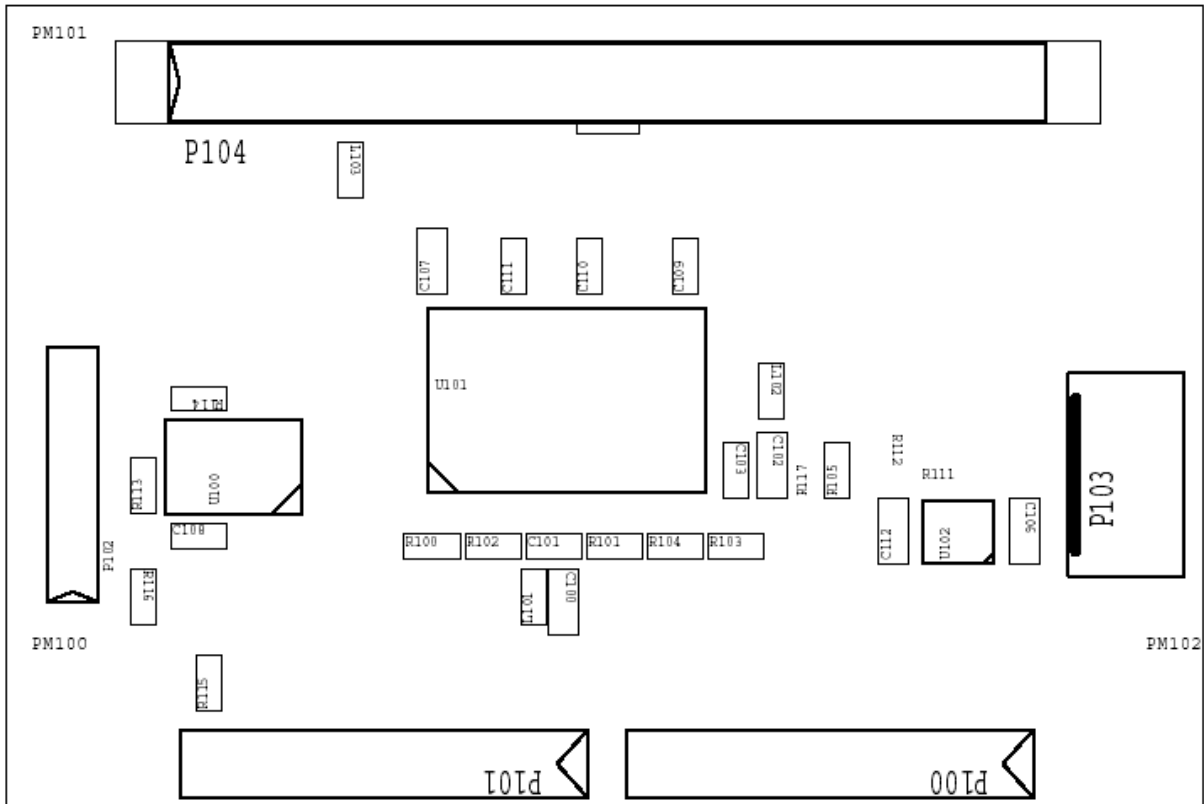
Ordering Information

Item Code	Part #	Description
ADLLVDSTTL	299915	LVDS to 18/24 Bit TTL
Accessories		
ADLLVDSC	100-9710	LVDS INTF Cable
2.5"/CFII-CP	201-2500	2.5" HD/SD and CF-II-S PC/104 mounting plate

Data subject to change without notice



Technical Specifications



Reference No.	Function
P100	"LVDS Data"
P101	"Panel I2C"
P102	"Panel Detect 3.3"
P103	"PC Power In"
P104	"TTL"

Data subject to change without notice



Technical Specifications

P100 - LVDS Data			
Mating Connector - Hirose DF13-15S			
Pin	Description	Description	Pin
1	GND	TXO0C-	9
2	GND	TXO0C+	10
3	TXO00-	TXO03-	11
4	TXO00+	TXO03+	12
5	TXO01-	FP_BL	13
6	TXO01+	FP_3.3V	14
7	TXO02-	FP_3.3V	15
8	TXO02+		

P101 - Panel I2C			
Mating Connector - Hirose DF13-15S			
Pin	Description	Description	Pin
1	GND	nc	9
2	GND	nc	10
3	nc	nc	11
4	nc	nc	12
5	nc	PNL_I2CCLK	13
6	nc	PNL_I2CCLK	14
7	nc	VCC	15
8	nc		

P102 - Panel Detect 3.3	
Mating Connector - Molex SL 5Pos, 0.100" - pn: 50-57-9005	
Pin	Description
1	VCC
2	3.3V
3	PNL_I2CCLK
4	PNL_I2CDAT
5	GND

P103 - PC Power	
Mating Connector - W+P Products 4Pos, Friction-Lock Crimp 2.54pitch - pn: 528-04-02-50	
Pin	Description
1	VCC
2	GND
3	GND
4	12V

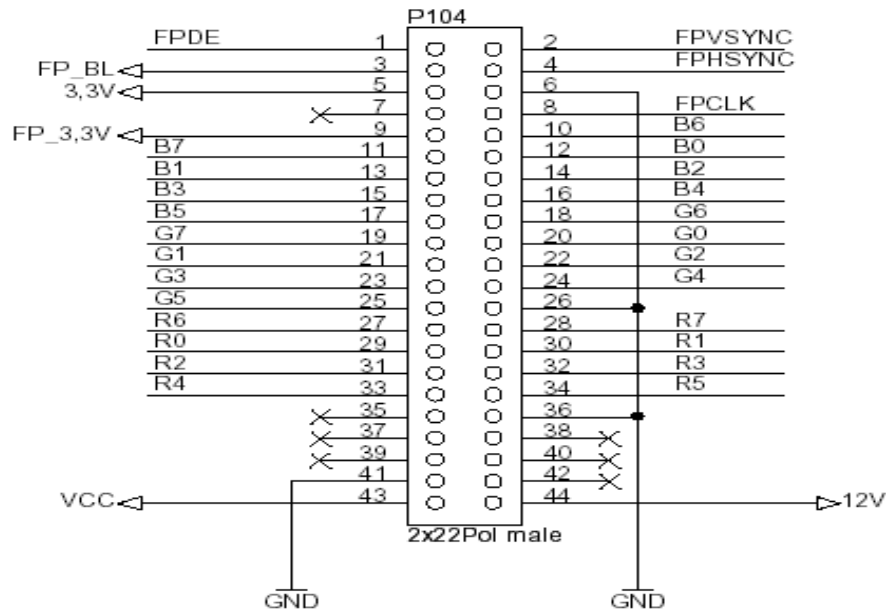
Data subject to change without notice



P104 - TTL Panel

Mating Connector - 2mm 2 x 22Pos Crimp style - panel interface dependent

P104: Named in OPEN LVDS (Standard Intel chipsets for LVDS)

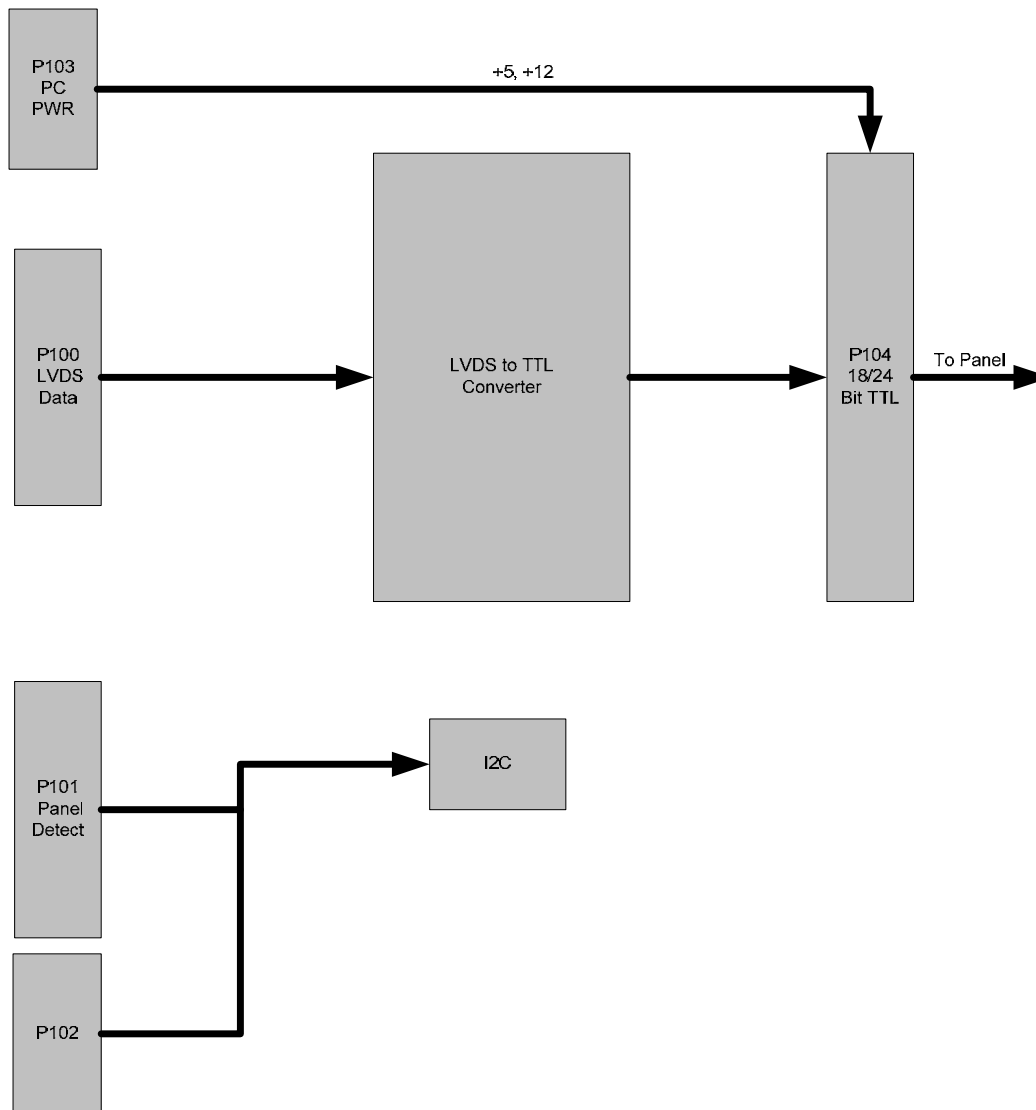


LX800	OPEN LDI		OPEN LVDS	
	18bit TFT	24bit TFT	18bit TFT	24bit TFT
FPD0		B0		B6
FPD1		B1		B7
FPD2	B0	B2	B0	B0
FPD3	B1	B3	B1	B1
FPD4	B2	B4	B2	B2
FPD5	B3	B5	B3	B3
FPD6	B4	B6	B4	B4
FPD7	B5	B7	B5	B5
FPD8		G0		G6
FPD9		G1		G7
FPD10	G0	G2	G0	G0
FPD11	G1	G3	G1	G1
FPD12	G2	G4	G2	G2
FPD13	G3	G5	G3	G3
FPD14	G4	G6	G4	G4
FPD15	G5	G7	G5	G5
FPD16		R0		R6
FPD17		R1		R7
FPD18	R0	R2	R0	R0
FPD19	R1	R3	R1	R1
FPD20	R2	R4	R2	R2
FPD21	R3	R5	R3	R3
FPD22	R4	R6	R4	R4
FPD23	R5	R7	R5	R5

Data subject to change without notice



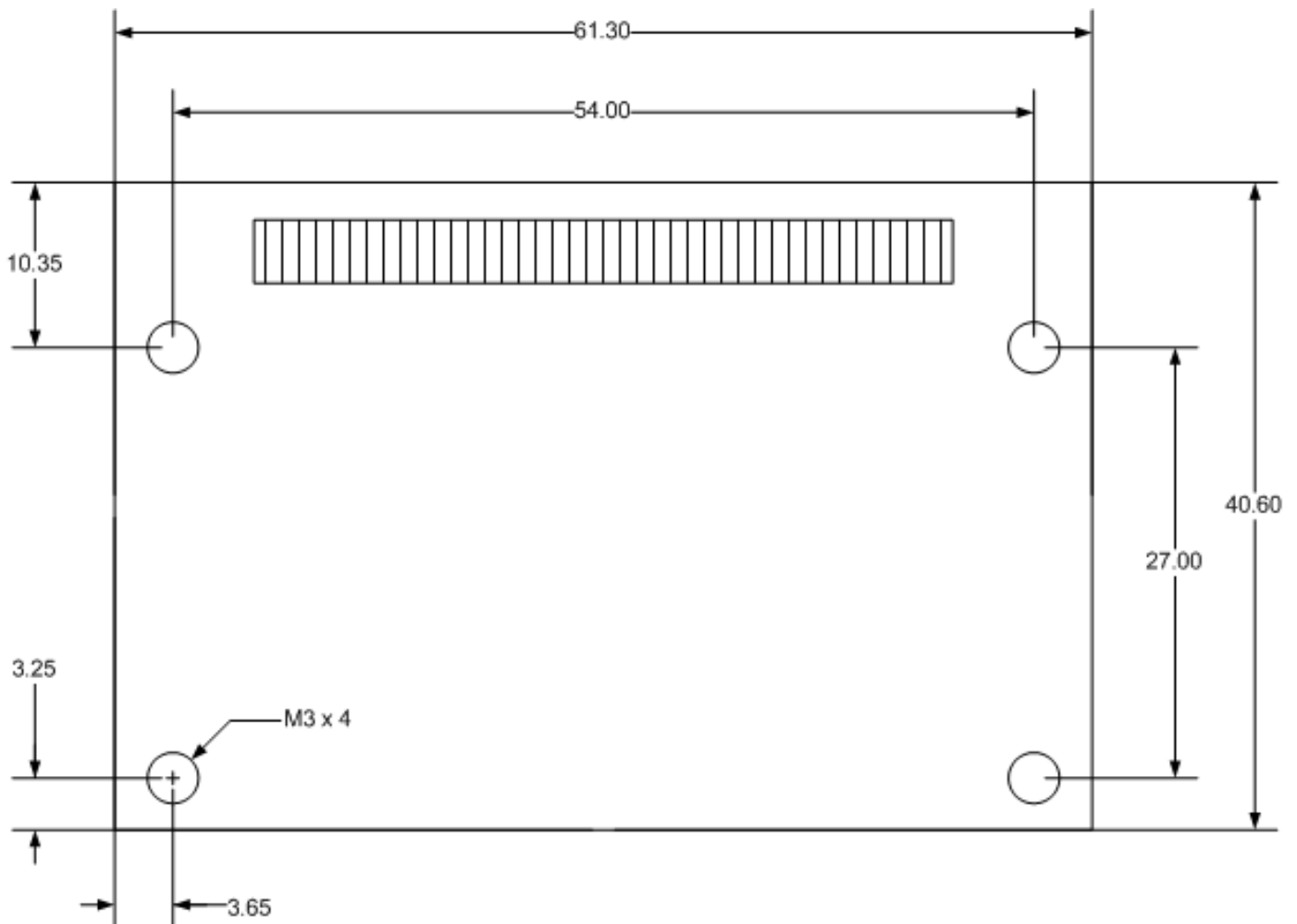
ADLLVDSTTL Block Diagram



Data subject to change without notice



ADLLVDSTTL Dimensions



Data subject to change without notice