



ADLCOM-ISOL - Isolated RS232 to RS232 / RS485 Transceiver

Features

- In-line RS232 to Isolated RS232 or RS232 to Isolated RS485 Transceiver
- 1kV DC Isolation for 1 second; 500V AC/ 60Hz Isolation for 1 minute
- Supports Data Rates up to 250Kbps in Isolated RS232 and Isolated RS485
- Board Dimensions: 40mm x 26mm (1.6" x 1.0")
- Can be Ruggedized for Harsh Environments



Ordering Information

Item Code	Part #	Description
ADLCOM-ISOL1	299941	RS232 Isolation Transceiver
ADLCOM-ISOL2	299942	RS232 to RS485 Isolation Transceiver
ADL2MM-COM	100-9735	Unshielded Cable, 9-Pin D-Sub to 2MM Latching
ADL2MM-485	100-9900	Shielded Cable ADLCOM 9-Pin D-Sub to 2MM Latching
ADL2MM-ISOL	100-9901	Shielded Cable ADLCOM pass-thru 2mm - 2mm Latch
ADLIDC-ISOL	100-9902	Shielded Cable ADLCOM pass-thru 2.54mm - 2mm Latch

Description

The ADLCOM-ISOL in-line isolated transceiver, available in two models, for RS232 and RS485 provides peace of mind when faced with using a computer system in electrically noisy or unstable environments. With isolation of 500V AC / 60Hz for 1 minute and 1kV DC isolation for 1 second, you can rest assured that the ADLCOM-ISOL has the ability to catch many transients from the outside world that could do catastrophic damage to an embedded computer investment. The ADLCOM-ISOL also provides a means of simple and effective isolation of standard serial ports without the need to add another board to your embedded system.

The ADLCOM-ISOL is ideal for use in Automotive, Railway, Automation, and many other applications where protection from transient voltages is a must when connecting to the outside world. The ADLCOM-ISOL can also be ruggedized for harsh environments. Two convenient mounting holes are provided for ease of installation. At just 40mm x 26mm (1.6" x 1.0"), the ADLCOM-ISOL will mount in tight spaces in most enclosures or environments.

Data subject to change without notice.

ADL Embedded Solutions Inc., 4411 Morena Blvd., Suite 101, San Diego, CA 92117-4345

P. +1 858 490-0597 F. +1 858 490-0599

e-mail: sales@adl-usa.com; web: www.adl-usa.com



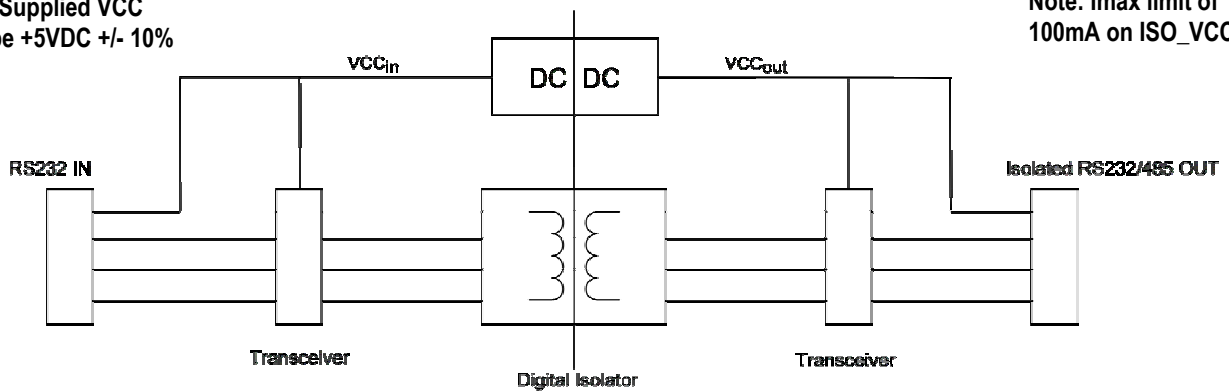
Technical Specifications



Block Diagram

Note: Supplied VCC must be +5VDC +/- 10%

Note: I_{max} limit of 100mA on ISO_VCC



RS232 Connector Pinouts (PN: 299941)

P100				P101			
Pin	Signal	Signal	Pin	Pin	Signal	Signal	Pin
1	DCD	DSR	6	1	ISO_DCD	ISO_DSR	6
2	RXD	RTS	7	2	ISO_RXD	ISO_RTS	7
3	TXD	CTS	8	3	ISO_TXD	ISO_CTS	8
4	DTR	RI	9	4	ISO_DTR	ISO_RI	9
5	GND	VCC	10	5	ISO_GND	ISO_VCC	10

RS232 to RS485 Connector Pinouts (PN: 299942)

P100				P101			
Pin	Signal	Signal	Pin	Pin	Signal	Signal	Pin
1	DCD	DSR	6	1	ISO_TX	ISO_TX#	6
2	RXD	RTS	7	2	ISO_RX	ISO_RX#	7
3	TXD	CTS	8	3	NC	NC	8
4	DTR	RI	9	4	NC	NC	9
5	GND	VCC	10	5	ISO_GND	ISO_VCC	10

Data subject to change without notice.