




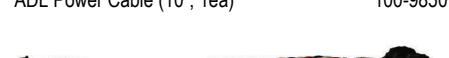









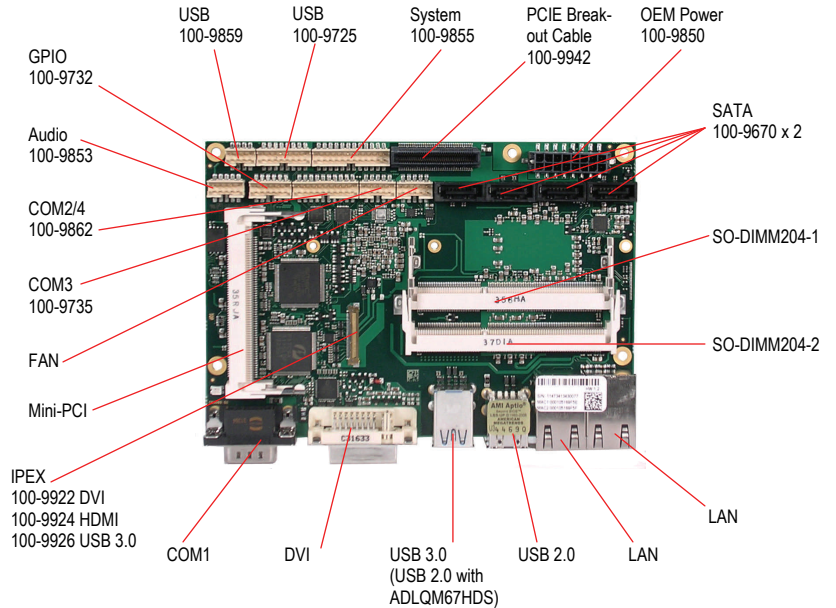
Standard Cable Kit

-  1ea ADL Battery Option (2.5") 100-9655
-  2MM USB, 4 Port Cable (10") (1ea.) 100-9725
-  COM3 Port 100-9735
-  SATA w/power, (includes qty 2 SATA Cables, qty 1 power Y cable) 100-9670
-  ADL Power Cable (10", 1ea) 100-9850
-  Audio Cable 100-9853
-  System Cable 100-9855




Additional Cable Accessories

-  DVI Cable 100-9922
-  HDMI Cable 100-9924
-  USB 3.0 Cable 100-9926
-  4 x1 Lane PCIe Breakout Cable 100-9942

ADLQM67HDS & ADLQM87HD Connector Map



Additional Cable Accessories, Cont'd

-  ATX - Power Cable 100-9850X
-  USB 2.0 x2 Port Cable 100-9859
-  COM2/4 Port Cable 100-9862

Ordering Information

Item Codes	Part#	Description
ADLQM67HDS-CK	294875	Development cable kit for ADLQM67HDS CPU's
ADL3GQM67HDS-CK	294875	Development cable kit for ADL3GQM67HDS CPU's
ADLQM87HD-CK	294875	Development cable kit for ADLQM87HD CPU's
Note: each cable also sold separately		

Data subject to change without notice